



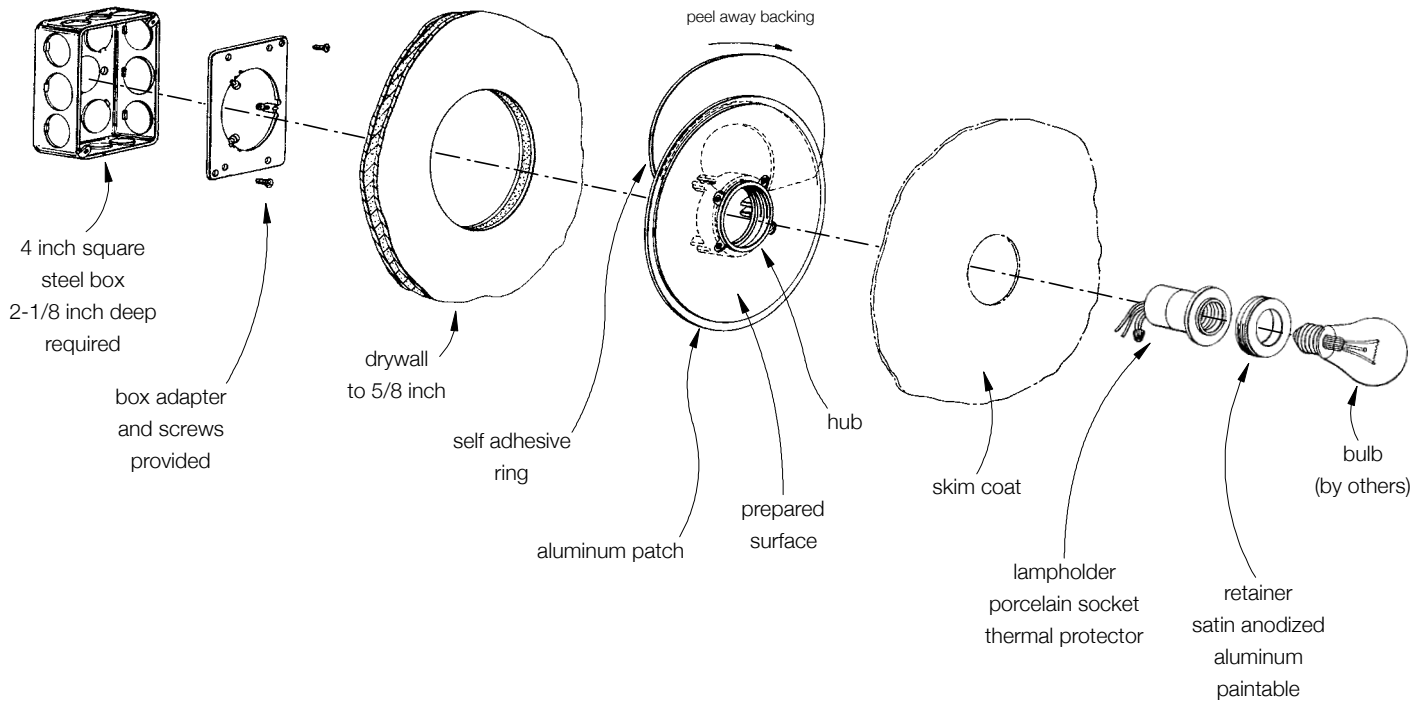
Flush Trims



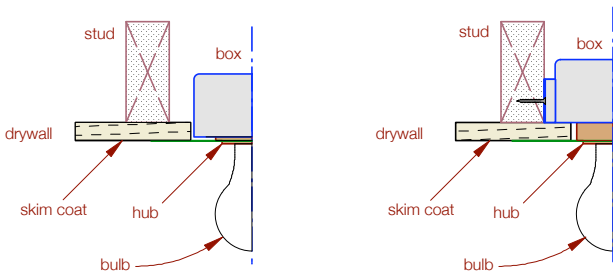
mount fixtures on outlet boxes with no visible hardware

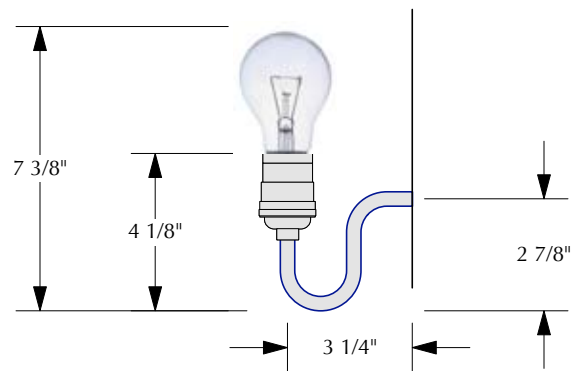
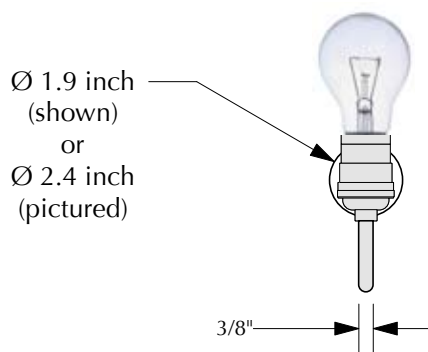
flush to the wall or ceiling

barenaked bulb
-
drywall trim



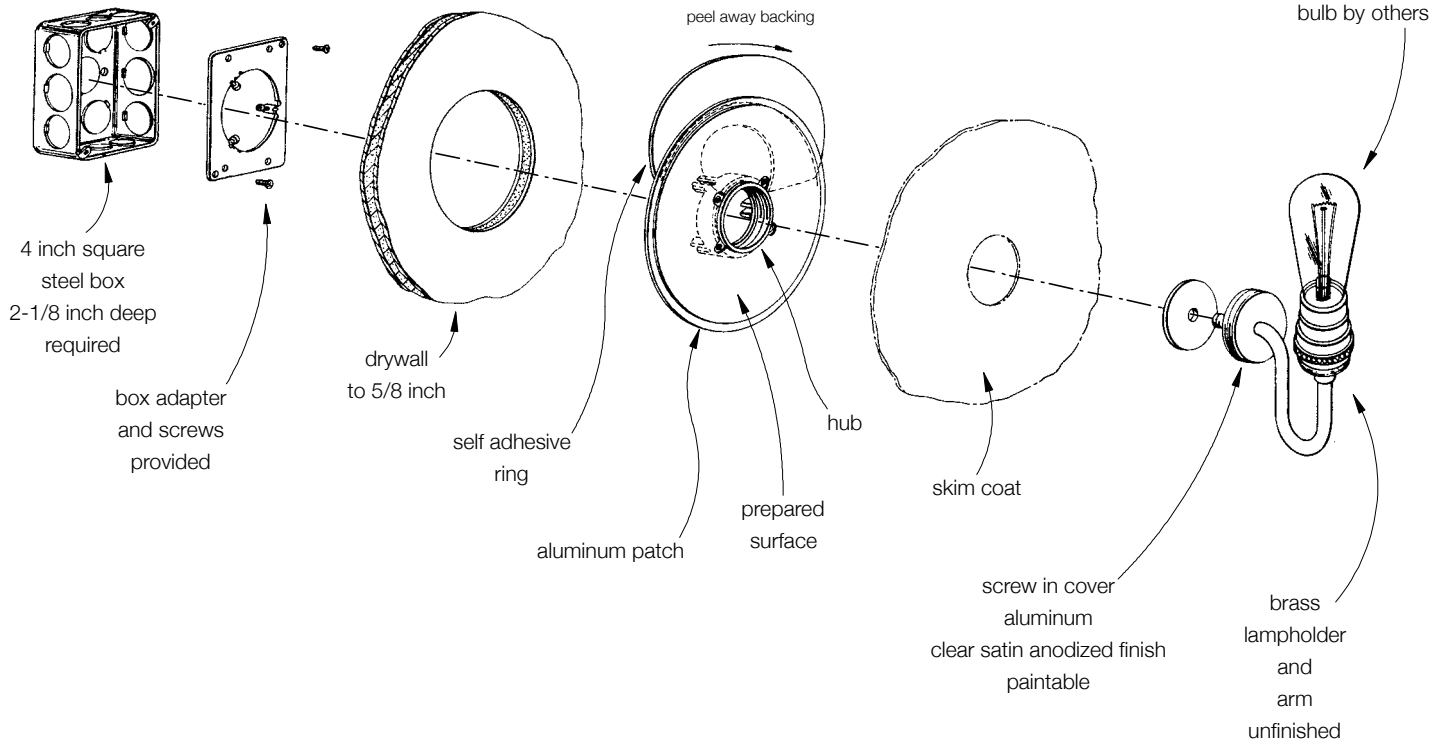
UL Listed - Patent Pending

BNB	1.9 - 2.4	D W L	1 - 2 - 3 - 4 - 5 - 6 - 7 - 8
model barenaked bulb ---- porcelain socket medium base 120 volts 60 watts maximum thermally protected UL Listed	hub size 1.9 inch 2.4 inch	mounting surface Drywall hub adjusts to fit 1. cut-in boxes - old work and remodeling 2. stud mounted boxes - new work 3. drywall - to 5/8 inch thick Mounts to a standard 4-inch square 2-1/8" deep outlet box  cut-in box stud mounted box Flush trims are available for other boxes and constructions	options (1) Opal glass cone shade 2.4 hub size only (2) 2-1/4 inch fitter for attaching shades with a 2-1/4 inch fitter 2.4 hub size only (3) Brass retainer (4) Custom finish (5) T Grid mounting kit (6) Mirror mounting kit (7) Mirror - 10 inch diameter low iron, opaque, acid etch (8) 4 inch octagon box adapter



UL Listed
Patent Pending

pin up



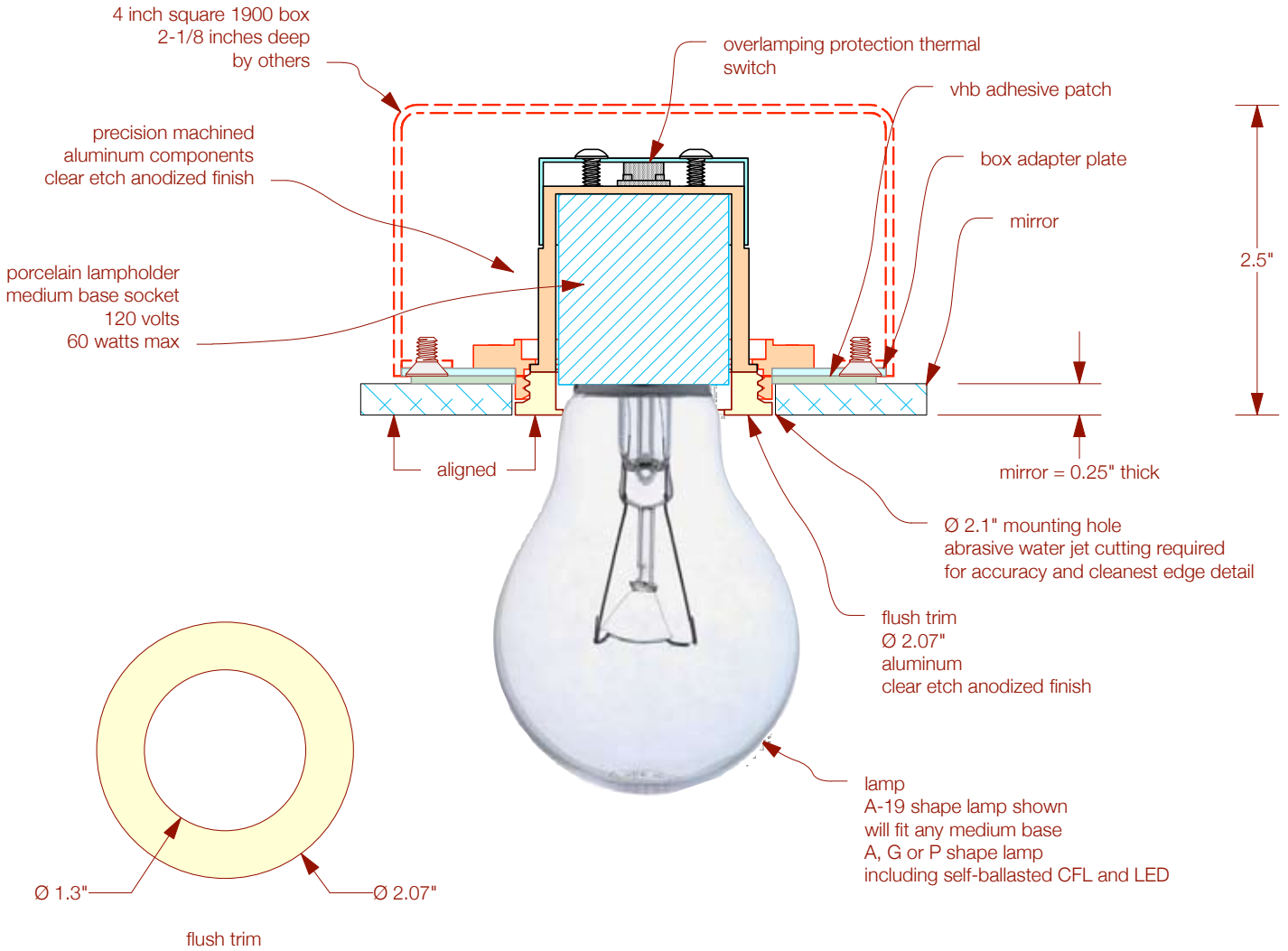
Patent Pending

PUP	1.9 - 2.4	D W L	1 - 2 - 3 - 4 - 5
model	hub size	mounting surface	options
pin up	1.9 inch	Drywall	(1) UNO threaded lampholder for attaching shades
brass arm and socket	2.4 inch	hub adjusts to fit	(2) Custom finish
120 volts		1. cut-in boxes - old work and remodeling	(3) Mirror mounting kit
60 watts maximum		2. stud mounted boxes - new work	(4) Magnetic cover
UL listed		3. drywall - to 5/8 inch thick	(5) Brass cover
		Mounts to a standard 4-inch square 2-1/8" deep outlet box	
		<p>cut-in box</p> <p>stud mounted box</p>	
		Flush trims are available for other boxes and constructions	

barenaked bulb
-
1/4 inch mirror trim

4"

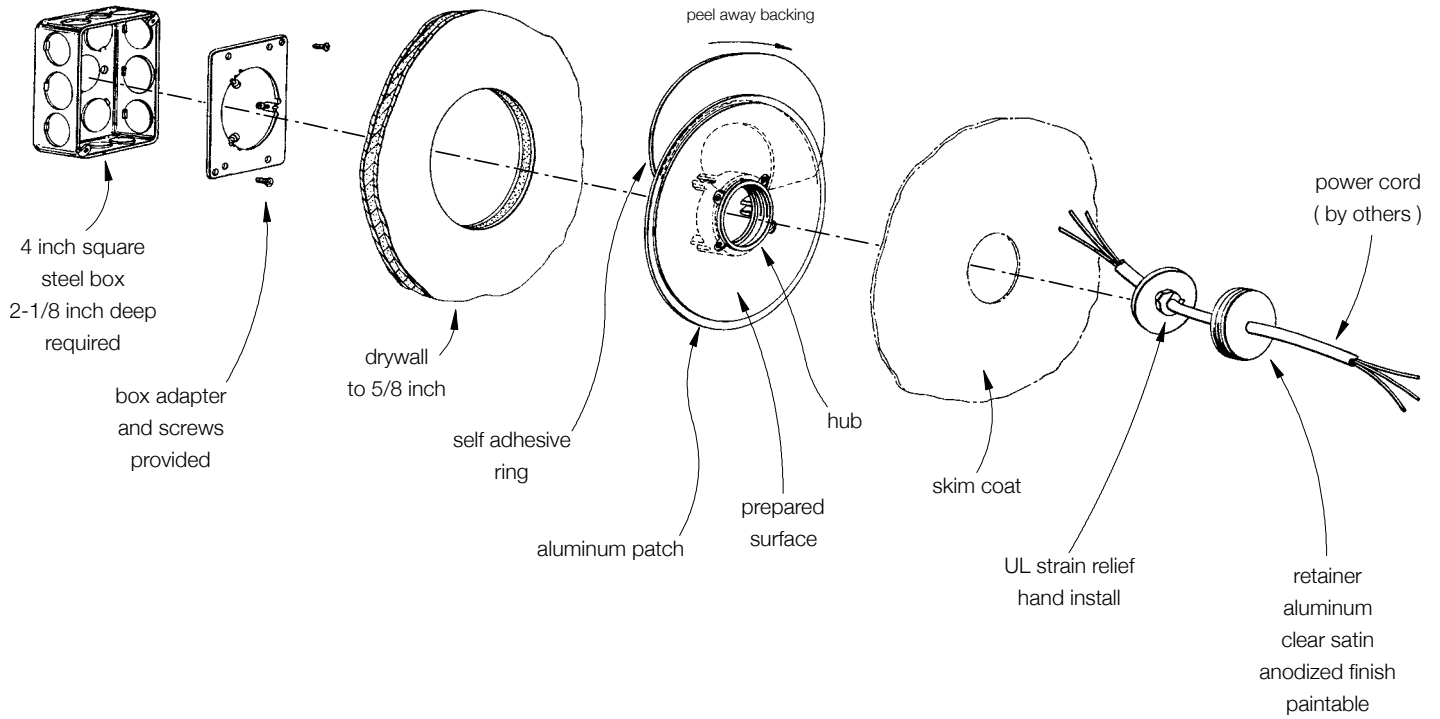
allow 4.1" minimum
center to center spacing
for
adjacent units



UL Listed - Patent Pending

BNB	1.9	MIR	1 - 2 - 3 - 4
model	hub size	mounting surface	options
barenaked bulb ---- porcelain socket medium base 120 volts 60 watts maximum	1.9 inch	1/4 inch mirror The trim and outlet box are mounted on the back of the mirror with a structural very high bond self adhesive patch (3M) thereby becoming part of the mirror. The outlet box is not framed in. Plan wiring and coordinate installation with trades. Flush trims are available for other boxes and constructions	(1) Overlap trim (2) Custom finish (3) Mirror - we can supply a full range or architectural mirror made to specification (4) Tile - to specification

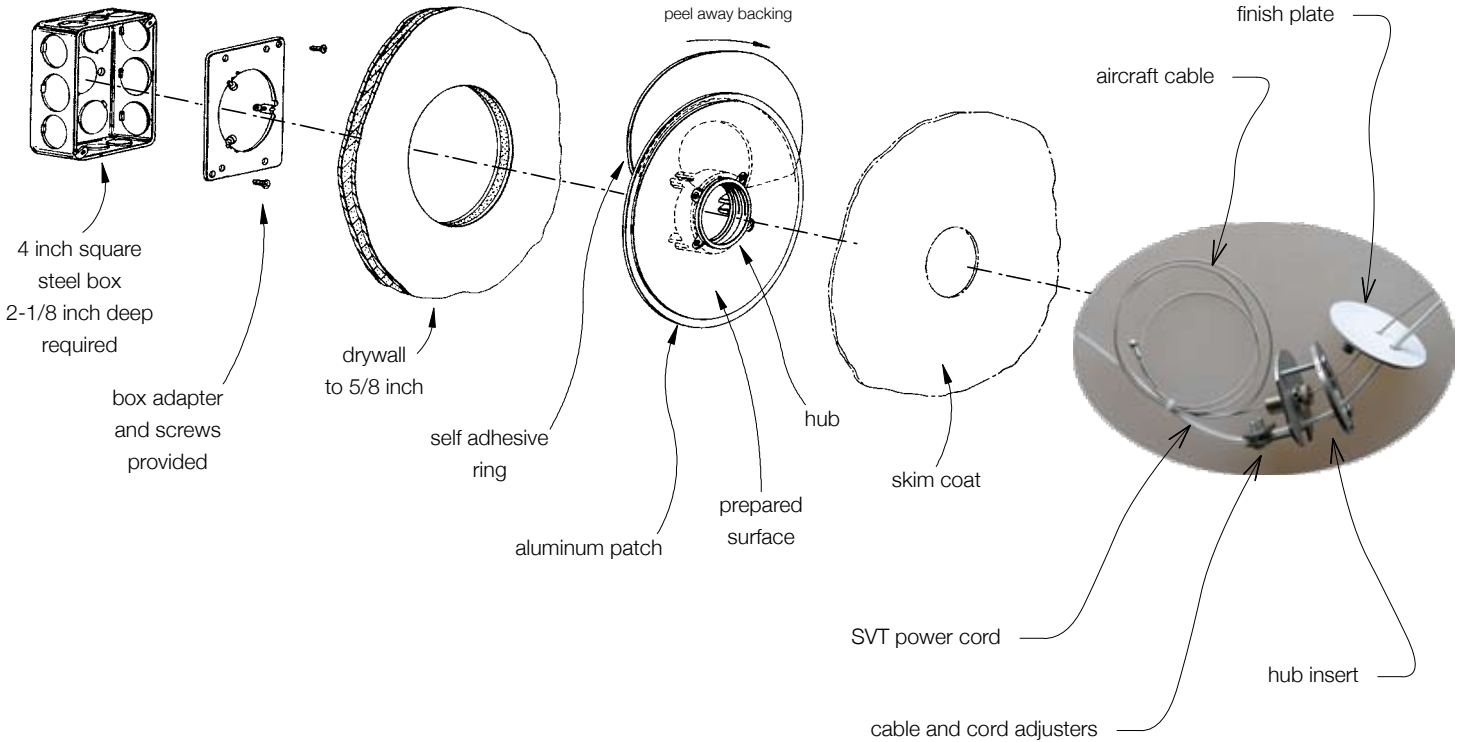
cord pendant



Patent Pending

SVT - SJT	1.9	D W L	1 - 2 - 3 - 4
<p>model</p> <p>cord pendant</p> <p>SVT 18 gauge wire 2 or 3 conductors fixture weight 5 lbs maximum</p> <p>SJT 18 gauge wire 2 or 3 conductors fixture weight 10 lbs maximum</p>	<p>hub size</p> <p>1.9 inch</p>	<p>mounting surface</p> <p>Drywall</p> <p>hub adjusts to fit</p> <ol style="list-style-type: none"> cut-in boxes - old work and remodeling stud mounted boxes - new work drywall - to 5/8 inch thick <p>Mounts to a standard 4-inch square 2-1/8" deep outlet box</p> <div style="display: flex; justify-content: space-around;"> <div data-bbox="483 1564 738 1822"> <p>cut-in box</p> </div> <div data-bbox="852 1564 1107 1822"> <p>stud mounted box</p> </div> </div> <p>Flush trims are available for other boxes and constructions</p>	<p>options</p> <ol style="list-style-type: none"> UL listing with fixture by other manufacturer Custom finish T Grid mounting kit Mirror mounting kit

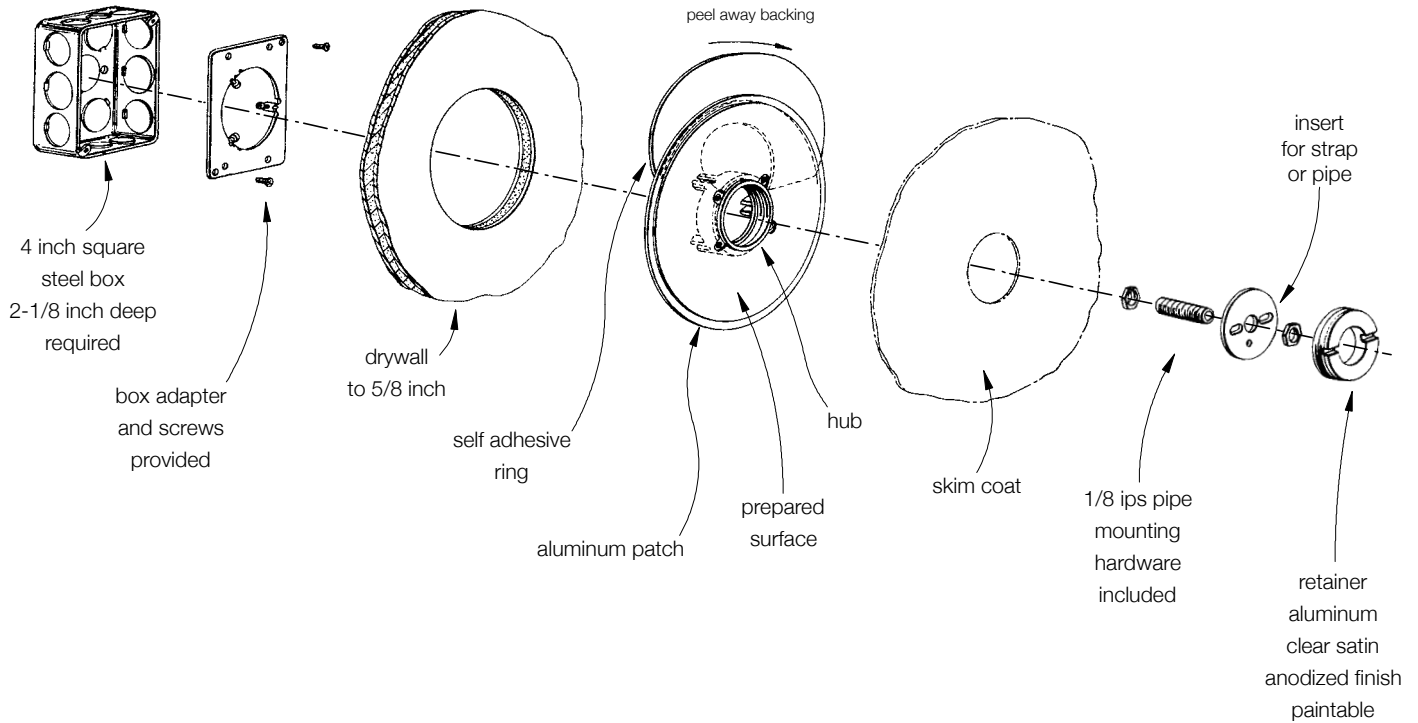
cable suspension



Patent Pending

CBL	1.9	D W L	1 - 2 - 3 - 4 - 5 - 6
<p>model</p> <p>Single Cable & Cord Suspension</p> <p>- Flush Canopy</p> <p>- SVT 18/3 power cord black</p> <p>- 3/64 inch 7x7 stainless steel cable</p> <p>- Fixture Weight 33 lbs max</p> <p>- finish anodized aluminum</p>	<p>hub size</p> <p>1.9 inch</p>	<p>mounting surface</p> <p>Drywall</p> <p>hub adjusts to fit</p> <ol style="list-style-type: none"> 1. cut-in boxes - old work and remodeling 2. stud mounted boxes - new work 3. drywall - to 5/8 inch thick <p>Mounts to a standard 4-inch square 2-1/8" deep outlet box</p> <div style="display: flex; justify-content: space-around;"> <div style="text-align: center;"> <p>cut-in box</p> </div> <div style="text-align: center;"> <p>stud mounted box</p> </div> </div> <p>Flush trims are available for other boxes and constructions</p>	<p>options</p> <ol style="list-style-type: none"> (1) UL listing with fixtures by other manufacturers (2) white power cord (3) Custom finish (4) Trim - specify other (5) T Grid mounting kit (6) Mirror mounting kit

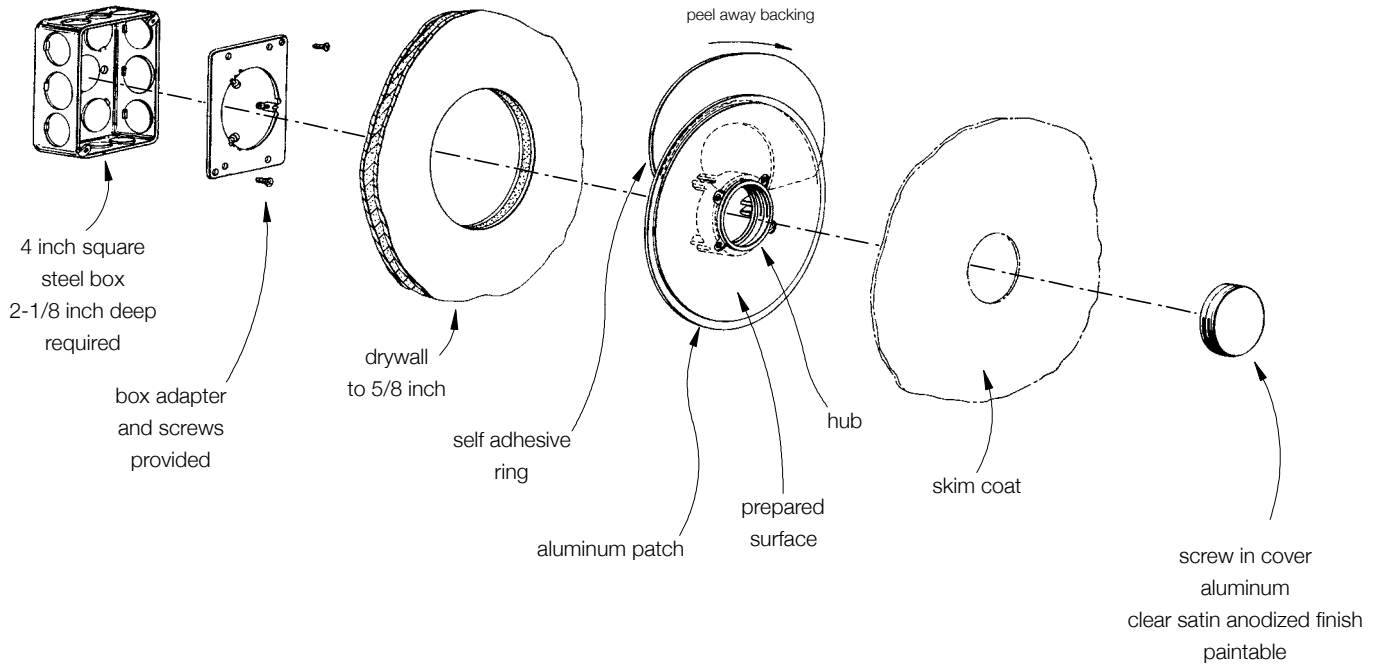
small backplate adapter



Patent Pending

SBA	1.9 - 2.4	D W L	1 - 2 - 3 - 4 - 5
model	hub size	mounting surface	options
small backplate adapter	1.9 inch ----- 3/8 inch diameter hole on center 2 slots for #8 screws on 3/4 to 1 inch spacing 2.4 inch ----- 3/8 inch diameter hole on center 2 slots for #8 screws on 3/4 to 1-1/2 inch spacing	Drywall hub adjusts to fit 1. cut-in boxes - old work and remodeling 2. stud mounted boxes - new work 3. drywall - to 5/8 inch thick Mounts to a standard 4-inch square 2-1/8" deep outlet box cut-in box stud mounted box Flush trims are available for other boxes and constructions	(1) UL listing with fixture by other manufacturer (2) Custom finish (3) T Grid mounting kit (4) Mirror mounting kit (5) Mounting holes to specification

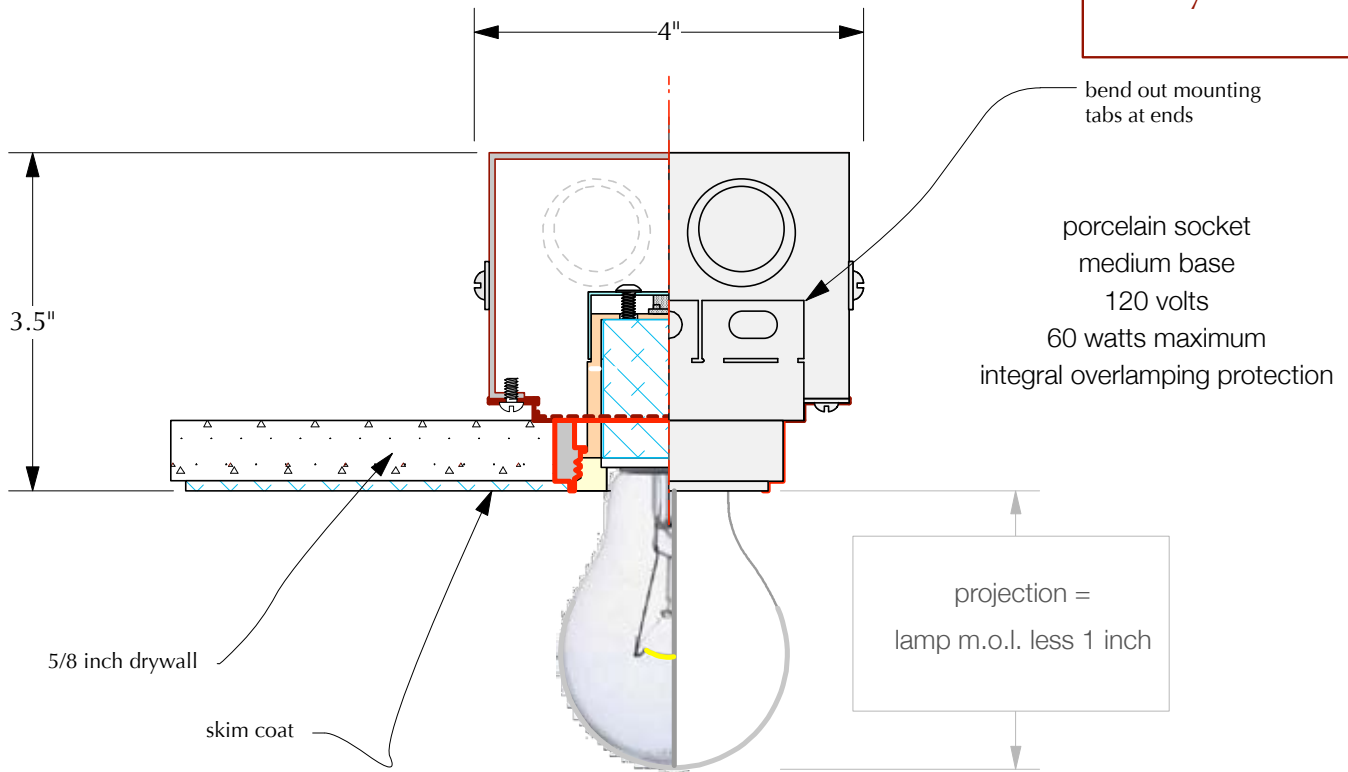
splice box
flush cover



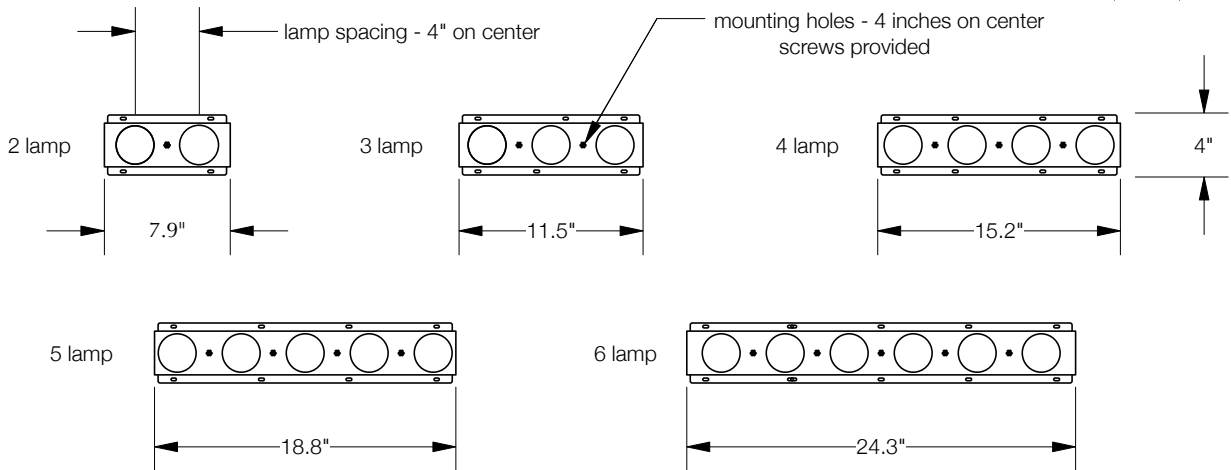
Patent Pending

CVR	1.9 - 2.4	D W L	1 - 2 - 3 - 4 - 5
model	hub size	mounting surface	options
splice box flush cover	1.9 inch	Drywall	(1) Paper surface for interior finishes
	2.4 inch	hub adjusts to fit 1. cut-in boxes - old work and remodeling 2. stud mounted boxes - new work 3. drywall - to 5/8 inch thick	(2) Custom finish
		Mounts to a standard 4-inch square 2-1/8" deep outlet box	(3) T Grid mounting kit
		<p>cut-in box</p>	(4) Mirror mounting kit
		<p>stud mounted box</p>	(5) Magnetic cover
		Flush trims are available for other boxes and constructions	

hollywood strip



wiring harness provided

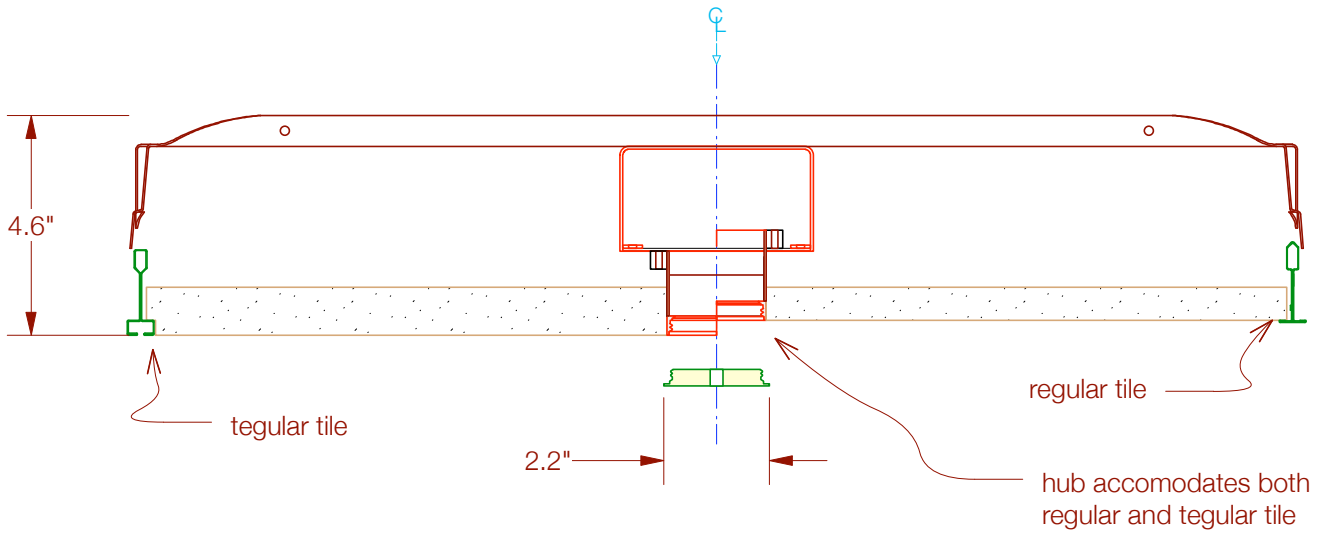


layouts

HOL	2 - 3 - 4 - 5 - 6	1 - 2
model	number of lamps	options
hollywood strip		(1) Mirror mounting (2) custom finish

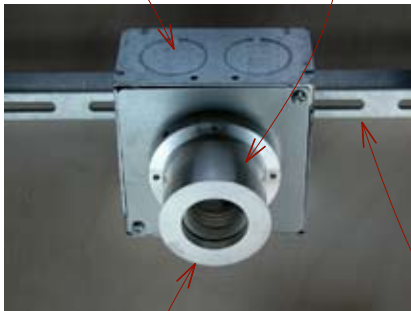
T Grid Box Kit

← position box centerline + / - 9-3/4 inches behind the tile →



2-1/8 inch deep
4 inch square
steel outlet box

adjustable depth hub



hub accepts
Spot on Lighting
fixtures and fittings

Caddy 512HDEEP
T grid box hanger
2 foot grid

1mm flange retainer
matching tile finish
available

T Grid	
model	description
T Grid	Spot on Lighting fixtures and fittings can be installed in suspended ceilings with the T Grid Box Kit. Custom finishes are available.