



Flush Outlet Box Mountings

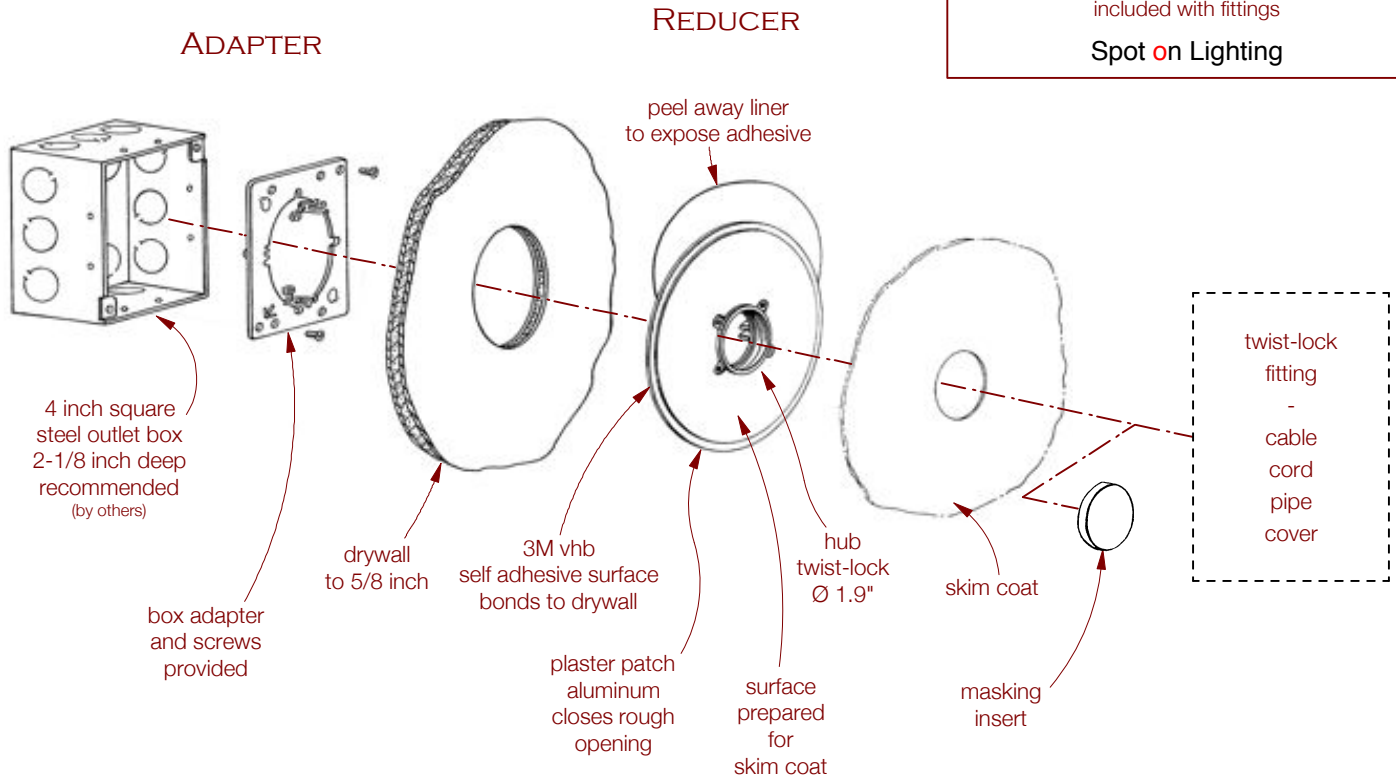
install any outlet box mounted fixture
with less than a 2 inch footprint
no canopy and no visible hardware

model no. FF-BK

flush outlet box mounting kit

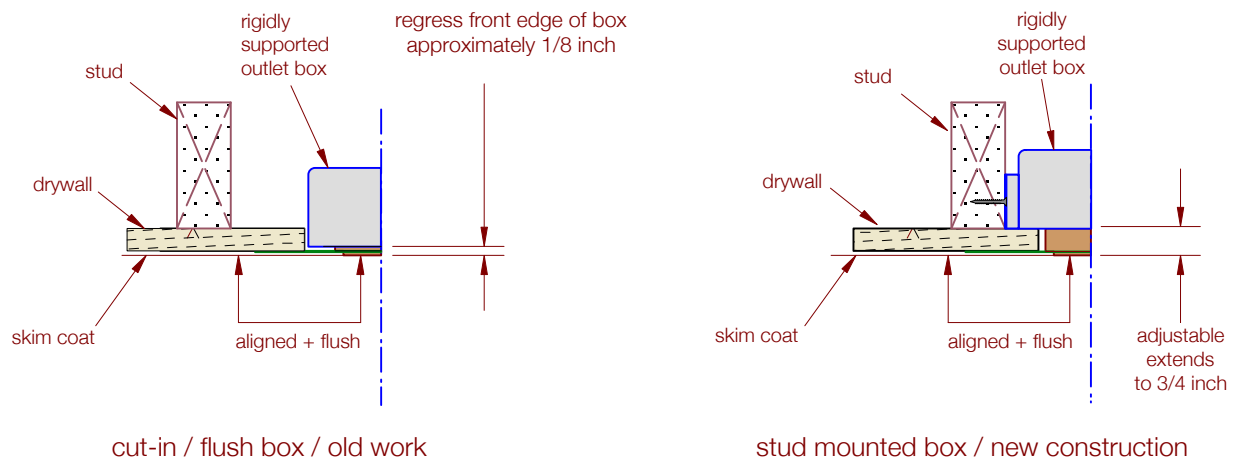
included with fittings

Spot on Lighting



Flush Outlet Box Mounting Kit for drywall

no visible canopy - no visible hardware
for all drywall constructions



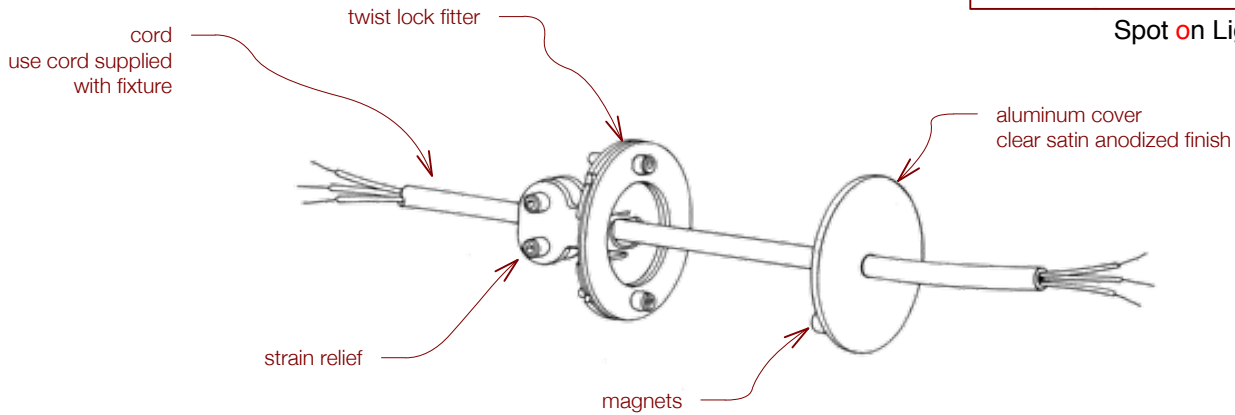
mounts to 4-inch square steel outlet box - 2-1/8 inch deep box recommended - rigid support required

Cable and Cord Fittings

fittings replace manufacturer supplied canopy and mounting hardware and include a flush outlet box mounting kit

Spot on Lighting

CORD FITTING



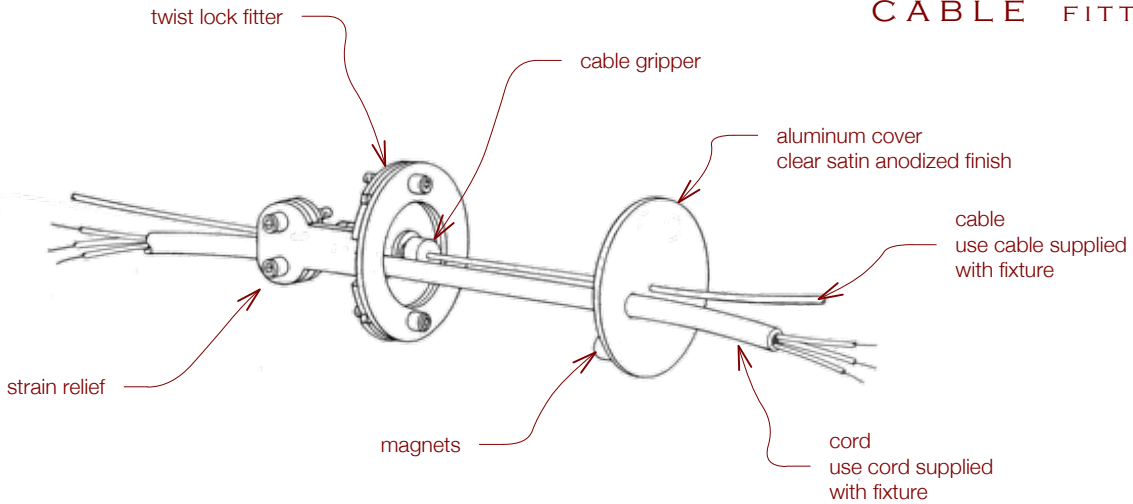
model no. FF-CR-SV

includes flush outlet box mounting kit
18 gauge wire - 2 or 3 conductors
diameter to .26" maximum
fixture weight - 5 lbs max

model no. FF-CR-SJ

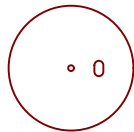
includes flush outlet box mounting kit
18 gauge wire - 2 or 3 conductors
diameter to .34" maximum
fixture weight - 10 lbs max

CABLE FITTING



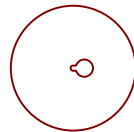
model no. FF-CB-RD

includes flush outlet box mounting kit
cable + round cord
SVT 18/3 power cord to Ø .27"
3/64 inch - 1/16 inch cable
fixture weight - 33 lbs max



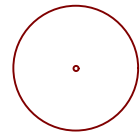
model no. FF-CB-FT

includes flush outlet box mounting kit
cable + flat cord
flat power cord to .14" x .24"
3/64 inch - 1/16 inch cable
fixture weight - 33 lbs max



model no. FF-CB-SO-RD

includes flush outlet box mounting kit
cable + cord - single outlet
power cord to Ø .24"
cable to 1/16 inch
fixture weight - 33 lbs max



model no. FF-CB-CB

includes flush outlet box mounting kit
cable only - no cord
3/64 inch - 1/16 inch cable
fixture weight - 33 lbs max

UL Listed - Patent Pending

Spot on Lighting

FLUSH OUTLET BOX MOUNTINGS
FOR
DRYWALL - MIRROR - CONCRETE - TILE

SOCKETS

FITTINGS

MONOPOINTS